



The Memopower Plus double conversion true on-line series, featured with DSP-controlled technology, high input & output power factors, superior input voltage window for energy saving, estimated remaining time, ECO mode, is an ideal solution to your computer center, network center, communication system, automatic control system or other critical systems, which is demanding for a thorough protection.

### Features

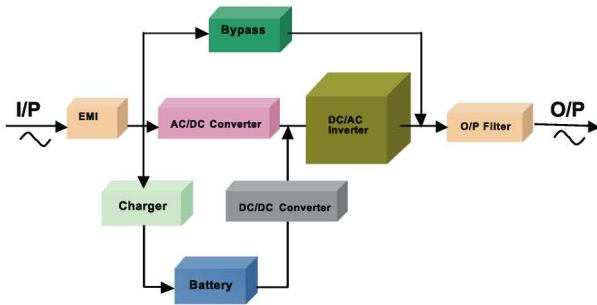
- True Online Double Conversion with DSP Control
- Patented Mimic LCD Display with Multifunction Parameter Settings
- High Output Power Factor at 0.9PF
- Unity Input Power Factor with Low Input Current Distortion
- Green Concept design with Superior Input Voltage Window for Energy Saving
- Support Generator Input
- Estimated Remaining Time displayed on the LCD.
- Support Economic(ECO) Operation Mode
- Power Shedding Function
- Matching Battery Pack with Powerful Charger Built-in
- Versatile Communication Interfaces Available
- Cold Start
- Communication Software

# Memopower Plus Online Tower UPS Series

MP9101 | MP9102 | MP9103

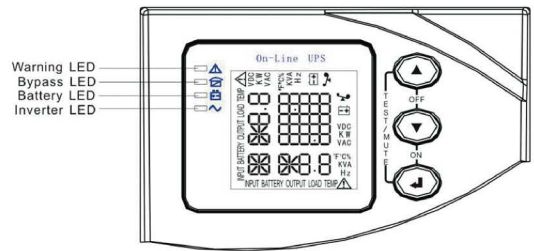
## True Online Double Conversion with DSP Control

With the advanced DSP Control technology, the Memopower Plus true online double conversion UPS not only corrects power disturbances in Mains but also achieves higher reliability and greater immunity from Utility power problems to the load connected.



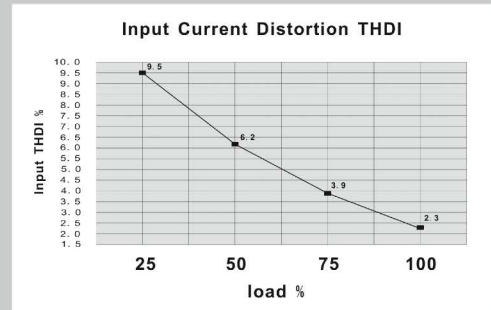
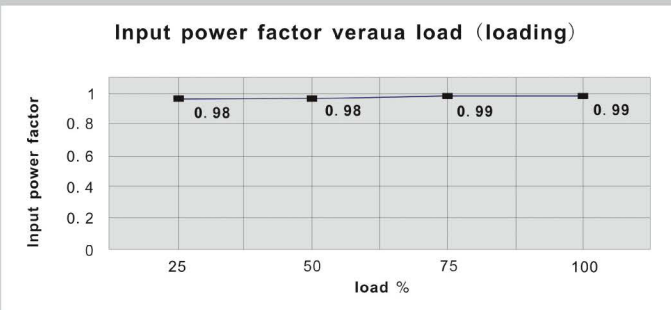
## Patented Mimic LCD Display with Multi-function Parameter Settings

With mimic LCD display, it is easy to get all precious read-out data about the status of the UPS; besides, you may easily set various parameters from the screen.



## Unity Input Power Factor with Low Input Current Distortion

Thanks for DSP Control technology implemented, the UPS may reach Unity Power factor  $\geq 99\%$  and low input current THD  $< 5\%$



## Support Generator Input

The UPS is designed to support generator set for emergency condition.

### Estimated Remaining Time displayed on the LCD.

Estimated remaining time may be displayed on the LCD to enable user to know when time out reaches and shuts down his precious load in time.





### Matching Battery Pack with Powerful Charger Built-in

To extend the UPS runtime, we also provide a series of matching battery pack with powerful charger built-in.

### Extended Battery Pack(EBP)

BATTERY BANK			
Model	MT-BT06007	MT-BT12007	MT-BT12009
Bat.Type	7AH	7AH	9AH
Bat. Voltage	36Vdc	72Vdc	72Vdc
Max.Quantity	6pcs	12pcs	12pcs
Max. Charge Current	2A		
Physical	Unit Dimensions WxDxH (mm)	144X215X409	199x337x466
	Weight (Kg)	18.5	35.5

### UPS + Battery Packs Runtime Table

Model	Internal Batteries	+ 1 EBP	+ 2 EBPs	+ 3 EBPs	+ 4 EBPs
1K	5	22	41	65	87
2K	5	23	44	71	100
3K	3	17	31	52	69

NOTE: Battery times indicated above are for reference only, which might vary according to load configuration and battery charge.

UNIT: Minute

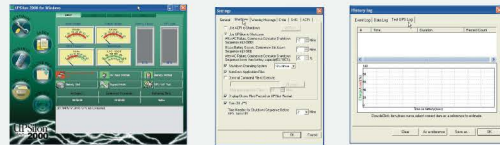
### Communication Software

The communication software provided allows the control of the UPS and graceful Shutdown when Utility fails, such as:

- Remotely test the major operation functions of the UPS
- Communicate via SNMP/Web/Network adapter
- Access UPS functions via the Web
- Alert users via SMS messages against specific events

### Cold Start

The UPS can be turned on without connecting to Utility.



### High Output Power Factor at 0.9PF

The UPS provides output power factor at 0.9 when the input voltage is at 200Vac-290Vac at full load condition.

### Versatile Communication Interfaces Available

The UPS is equipped with RS232, USB and additional communication slot to be connected with SNMP card, dry contact board for various application demands.



### Support Economic(ECO) Operation Mode

The UPS may be set at ECO mode, which means line-interactive mode. It may automatically switch back when Utility is abnormal.

### Power Shedding May Turn Off Uncritical Load in Battery Backup

The UPS will turn off the uncritical load connected with the specified sockets (Segment 1) when the UPS is on backup mode.



## Memopower Plus Online Tower UPS Series

Model		MP9101	MP9102	MP9103
Capacity (VA/W)		1000VA/900W	2000VA/1800W	3000VA/2700W
Input	Phase	Single phase & Ground		
	Rated Voltage	200/208/220/230/240VAC		
	Voltage Range	110-290V*		
	Frequency Range	45Hz-65Hz(auto detect)		
	Power Factor	≥0.98		
	Current THDI	<7% at 100% non-linear load		
	Bypass Voltage Range	Max.voltage: +15%(optional +5%, +10%, +25% ) Min. voltage: -45% (optional -20%, -30%) Frequency protection range: ±10%		
	ECO Range	same as the bypass		
	Generator Input	Support		
Output	Phase	Single phase & Ground		
	Rated Voltage	200/208/220/230/240VAC		
	Power Factor	0.9		
	Voltage Regulation	±2%		
	Frequency	Utility Mode	50Hz or 60Hz(synchronized to Mains)	
		Battery Mode	50/60Hz±0.02Hz	
	Crest Factor	3:1		
	THD	≤3% with linear load ≤5% with non linear load		
	Waveform	Pure Sinewave		
Efficiency	AC Mode(full load)	up to 88%	up to 89%	
	ECO Mode(full load)	>94%		
Battery	Voltage	36Vdc	72Vdc	72Vdc
	Capacity	7AH		9AH
	Backup Time	Full load>=5 min., Estimated remaining time displayed on the LCD		
	Recharge time to 90%	5 hours		
	Charging Current	1A		
	Battery Socket	Anderson like PowerPole Modular Connectors		
Transfer Time		Utility to Battery : 0ms; Utility to bypass: <4ms		
Protection	Overload	AC Mode	Load≤100%-150%: last 30S, ≥150%: last 300ms then shut down UPS immediately.	
		Bat. Mode	Load≤100%-150%: last 30S, ≥150%: last 300ms then shut down UPS immediately.	
		Bypass Mode	Load > 130%: 60S then shut down output	
	Short Circuit	Hold Whole System		
	Overheat	Line Mode: Switch to Bypass; Backup Mode: Shut down UPS immediately		
	Battery Low	Alarm and Switch off		
	Self-diagnostics	Upon Power On and Software Control		
	EPO(optional)	Shut down UPS immediately		
	Battery	Advanced Battery Management		
Noise Suppression	Complied with EN62040-2			
Alarms	Audible & Visual	Line Failure, Battery Low, Overload, System Fault		
Display	Status LED & LCD	Line Mode, Backup Mode, Eco Mode, Bypass Mode, Battery Low, Battery Bad, Overload & UPS Fault		
	Reading On the LCD	Input Voltage, Input Frequency, Output Voltage, Output Frequency, Load Percentage, Battery Voltage, Inner Temperature & Remaining Battery Backup Time		
Physical	Dimension(WxHxD)mm	144x215x409	199x337x466	
	Weight (Kg)	13	24.6	25.5
	Input Connection	IEC320-C14-10A	IEC320-C20-16A	IEC320-C20-16A
	Output Connection	IEC320-C13-10A x 3	IEC C13-10A x 8	IEC320 C13-10A x 8 & C19-16A x 1
	External Battery Connection	Anderson like PowerPole Modular Connectors		
Communication Interface	Smart RS232/USB Port	Supports Windows Family, Linux, FressDSB, etc.		
	Communication Slot	SNMP Card, Dry Contact Card,etc.		
Environment	Operating Temperature	0°C~40°C		
	Storage Temperature	-25°C~+55°C		
	Humidity	0~95% non condensing		
	Altitude	< 1500m (derating while >1500m)		
Noise	<50dB(at 1 meter)			
Safety Conformance		CE,CB		

\* 110-160V at < 30%;160-200V at <80% load; 200-290V at 100% load.

Specifications subject to change without prior notice.



www.snagp.com, www.u-biz.net / partcallinfo@gmail.com

Tel : +63 2 893 1806, 1807 / Fax +63 2 887 1191 / Korean (0905 353 0588, 070 7931 0586)

Address : Penthouse(8F), Libran House, 144 Legaspi Cor. Rufino St.Legaspi village, Makati CityPhilippines.

TODAY'S CHOICES, TOMORROW'S LEGACY !!